

COUNTRY AUTOMOTIVE

923 EDMONTON TRAIL NE
 CALGARY, AB T2E 3J9
 Tel: 5875811521
 Countryauto1@icloud.com, Countrytire@icloud.com

Invoice 1023098

Service Advisor: Patrick Smith
 Technician: Patrick Smith
 Date: 02-24-2026 09:39 AM
 R/O: J023894

Customer

Vehicle 2011 Lincoln MKX Base
 3.7 GAS
 2LMDJ8JK0BBJO0212
 6F50

km In: 282,716
 km Out: 282,716
 License Plate: X6147 00

Customer Issues and Advisories**Work Description**

Rough idled, hard start after filling gas tank ,gen insp, some times it will start after idle starts to bounce,. Doing brakes and frt end work

Advisory Notes

Aprox 2500 for brakes and front end work

Work Performed**General inspection**

Labor	Tech	Hrs	Price	Total
General inspection		1.00	200.00	200.00
			General inspection	SubTotal
				\$200.00

Rear brake pad/ shoes replacement**Advisory Notes**

Rear park brake cables are disconnected. Would need both calipers and park brake cables to get operational again

Labor	Tech	Hrs	Price	Total
Replace rear brake pads/drums		1.30	146.50	190.45
Parts	Part No	Qty	Price	Total
Brake pads	AAA1377H	1.00	75.84	75.84
Brake rotor	AAA126212	2.00	99.67	199.34
			Rear brake pad/ shoes replacement	SubTotal
				\$465.63

Frt brake pad replacement

Labor	Tech	Hrs	Price	Total
Replace frt brake pads and rotors		1.30	146.50	190.45
Parts	Part No	Qty	Price	Total
Frt brake pads	AAA1258H	1.00	89.67	89.67
Frt brake rotor	AAA900636	1.00	148.72	148.72
			Frt brake pad replacement	SubTotal
				\$428.84

Control Arm

Labor	Tech	Hrs	Price	Total
Remove & Replace - Control Arm - Front Suspension - Lower Control Arm - Lower Control Arm, R&R - One Side		1.40	146.50	205.10

2011 Lincoln MKX Base

Control Arm

Parts	Part No	Qty	Price	Total
Left lower control arm	AAAC6GS40130	1.00	280.11	280.11
FRt stabilizer link	AAA1K750159	1.00	75.28	75.28
Control Arm				SubTotal \$560.49

Labor

Labor	Tech	Hrs	Price	Total
Replace left outer tie rod end		0.70	146.50	102.55

Parts	Part No	Qty	Price	Total
Outer tie rod end	AAA3ES800474	1.00	94.49	94.49
Labor				SubTotal \$197.04

Alignment

Advisory Notes

If vehicle steering wheel is not centered I would need to replace a strut bolt on the right front due to negative camber. This could also cause tire wear.

Labor	Tech	Hrs	Price	Total
Alignment		1.00	145.00	145.00
Alignment				SubTotal \$145.00

Total

Labor	1,033.55
Parts	963.45
Hazmat*	0.00
Supplies*	75.00
GST/HST	103.60
PST	0.00

Invoice Total \$2,175.60

* Shop Supply & Hazmat Fees: This charge represents costs and profits (where applicable) to this repair facility for miscellaneous shop supplies, and/or waste removal

Date	Method	Reference	Amount
02-19-2026	Mastercard	Paid Feb 19 2026	200.00
02-24-2026	DEBIT	Paid 2 24 2026	1,975.60
Payment Totals			2,175.60
Balance Due			0.00

Authorization

Original Estimate Total: 0.00

Authorization Method: email text phone fax in person

Date: _____ Contact Details: _____

Authorized By: _____

X _____
Customer Signature

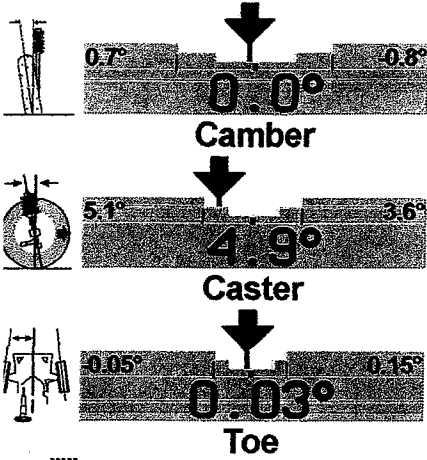
Save replacement parts for inspection or return? (Core may apply) Yes No



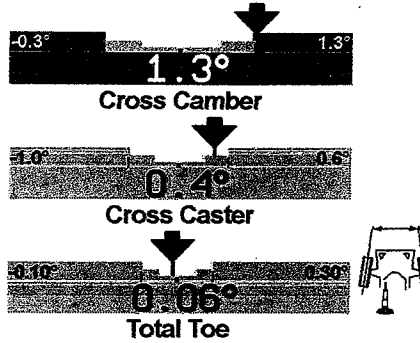
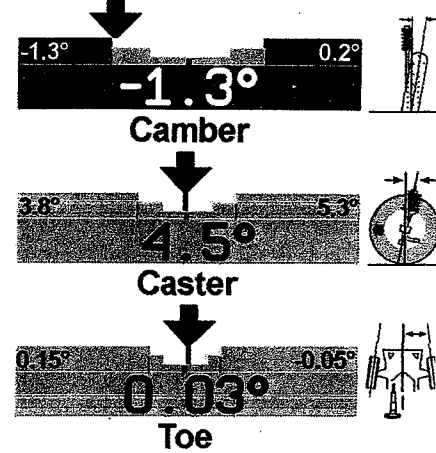
VIN: 2LMDJ8JK0BBJ00212
Year: 11
Odometer: 282869
Date: 2/23/26 3:03 PM

Lincoln 2011 MKX 4X4 4-Wheel Total Alignment Current Measurements

Left Front

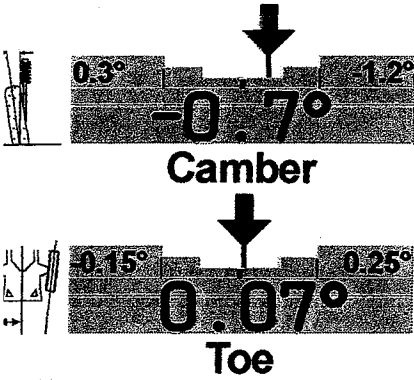


Right Front

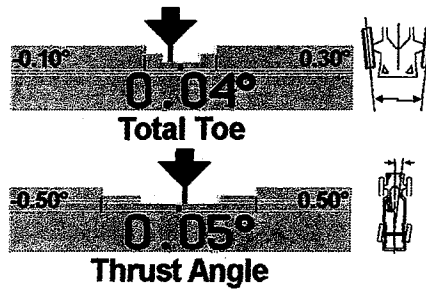
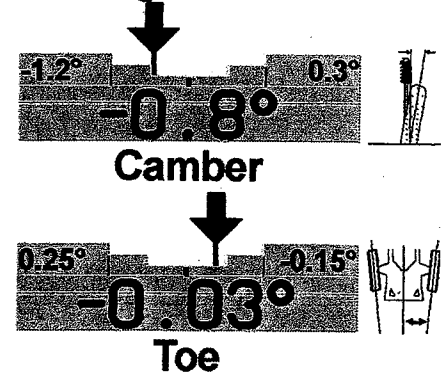


- Excessive Camber causes shoulder wear and poor handling.
- Negative Camber could cause road shock or poor ride quality.
- Excessive cross Camber could cause a pull to the left.

Left Rear



Right Rear



- All angles on the rear axle are within manufacturer's specifications.

TIVE spection

Vehicle Details: 2011 Lincoln
MKX 3.7 GAS
Sport Utility
Eng Code / Num: /
Vin: 2LMDJ8JK0BBJ00212
Mileage: 282716
Tire Size: ~

License: [REDACTED]

	Code	Red	Amber	Green	N/C	Report & Recommendations
Visual Brake Check						
* Brake Pads/Shoes <i>complete</i>		<input type="checkbox"/>	<input checked="" type="checkbox"/>	<input type="checkbox"/>	<input type="checkbox"/>	Aprox 10 % remaining all 4 wheels
* Brake Rotors/Drums <i>complete</i>		<input type="checkbox"/>	<input checked="" type="checkbox"/>	<input type="checkbox"/>	<input type="checkbox"/>	
Brake Hoses/Lines/Calipers/ Fluid leaks		<input type="checkbox"/>	<input type="checkbox"/>	<input checked="" type="checkbox"/>	<input type="checkbox"/>	
Visual Underhood Check						
2* Coolant condition and level GCOC?		<input type="checkbox"/>	<input checked="" type="checkbox"/>	<input type="checkbox"/>	<input type="checkbox"/>	
Other visual issues/ notes		<input type="checkbox"/>	<input checked="" type="checkbox"/>	<input type="checkbox"/>	<input type="checkbox"/>	Valve cover and timing cover are leaking. Could use a tune up due to age and milage
Air Filter		<input type="checkbox"/>	<input type="checkbox"/>	<input checked="" type="checkbox"/>	<input type="checkbox"/>	
Battery		<input type="checkbox"/>	<input type="checkbox"/>	<input checked="" type="checkbox"/>	<input type="checkbox"/>	
2* Belt(s) GCOC?		<input type="checkbox"/>	<input checked="" type="checkbox"/>	<input type="checkbox"/>	<input type="checkbox"/>	Cracking and aged
Hoses		<input type="checkbox"/>	<input type="checkbox"/>	<input checked="" type="checkbox"/>	<input type="checkbox"/>	
Engine Oil		<input type="checkbox"/>	<input type="checkbox"/>	<input checked="" type="checkbox"/>	<input type="checkbox"/>	
Transmission Fluid		<input type="checkbox"/>	<input checked="" type="checkbox"/>	<input type="checkbox"/>	<input type="checkbox"/>	Could use a service due to age and milage
* Brake Fluid <i>Complete</i>		<input type="checkbox"/>	<input checked="" type="checkbox"/>	<input type="checkbox"/>	<input type="checkbox"/>	Could use a service due to age and milage
Clutch Fluid		<input type="checkbox"/>	<input type="checkbox"/>	<input checked="" type="checkbox"/>	<input type="checkbox"/>	
Power Steering Fluid		<input type="checkbox"/>	<input checked="" type="checkbox"/>	<input type="checkbox"/>	<input type="checkbox"/>	Could use a service due to age and milage
Windshield Washer Fluid		<input type="checkbox"/>	<input type="checkbox"/>	<input checked="" type="checkbox"/>	<input type="checkbox"/>	
Visual Exterior Check						
Lights		<input type="checkbox"/>	<input type="checkbox"/>	<input checked="" type="checkbox"/>	<input type="checkbox"/>	
Wiper Blades		<input type="checkbox"/>	<input type="checkbox"/>	<input checked="" type="checkbox"/>	<input type="checkbox"/>	
Struts/Shocks		<input type="checkbox"/>	<input type="checkbox"/>	<input checked="" type="checkbox"/>	<input type="checkbox"/>	
Exhaust System		<input type="checkbox"/>	<input type="checkbox"/>	<input checked="" type="checkbox"/>	<input type="checkbox"/>	
* Steering and Suspension check <i>complete</i>		<input type="checkbox"/>	<input checked="" type="checkbox"/>	<input type="checkbox"/>	<input type="checkbox"/>	Needs left lower control arm and left outer tie rod end Alignment. Needs 4 TPMS sensors. Pinch weld is getting weak, rust is taking over
Windows and Mirrors		<input type="checkbox"/>	<input type="checkbox"/>	<input type="checkbox"/>	<input checked="" type="checkbox"/>	Windshield cracked

Visu... Check

Warning Lights// Cabin Filter

Code

Red

Amber

Green

N/C

Report & Recommendations

Has code p1450 unable to bleed fuel tank vacuum.



Country Tire

GST 810 012880
923 Edmonton Trail NE Alberta
CALGARY, ALBERTA
T2E 3J9
403 590 1521
countrytire@icloud.com

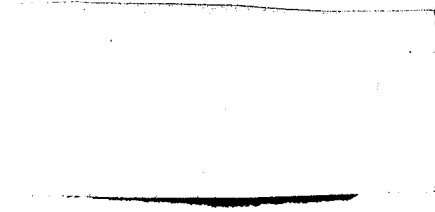
INVOICE
INV11103

DATE
Sep 26, 2024

DUE
On Receipt

BALANCE DUE
CAD \$0.00

BILL TO



DESCRIPTION	RATE	QTY	AMOUNT
YEAR: 2011 MAKE: LINCOLN MODEL: MKX	\$0.00	1	\$0.00*
MILEAGE 258486 KM	\$0.00	1	\$0.00
Pirelli SCORPION WEATHERACTIVE 4165600 255/50R20	\$348.31	4	\$1,393.24
NEW TIRE INSTALL	\$29.99	4	\$119.96
- FREE Tire Rotations & Balancing(EXCLUDES SEASONAL SWAP OVERS)			
- FREE Flat Repairs(TIRE ONLY)			
ALBERTA TIRE LEVY	\$4.00	4	\$16.00
Alberta Tire Recycling Fee			
AIR PRESSURE	\$0.00	1	\$0.00*
SET TO VEHICLE SPECIFICATIONS			
TORQUE	\$0.00	1	\$0.00*
SET TO VEHICLE SPECIFICATION			